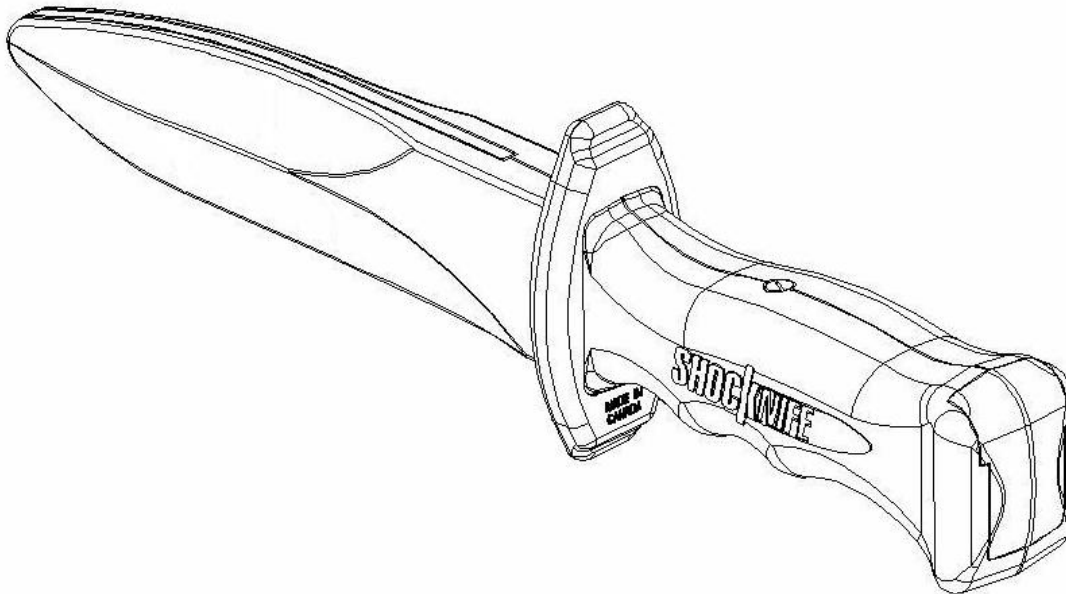




THE SHOCKKNIFE™ SK-2

OPERATING AND MAINTENANCE MANUAL



Before using or operating the Shockknife™ SK-2, please read this manual thoroughly, and retain it for future reference.

PRODUCT REGISTRATION

PLEASE RECORD & KEEP THE FOLLOWING INFORMATION FOR
FUTURE REFERENCE

Serial Number*: _____

Purchase Date: _____

Place of Purchase: _____

*Serial number located on sticker inside battery compartment.

Register your product on-line at:

www.shockknife.com

(under **Product Information** you will find **Product Registration**)

TABLE OF CONTENTS

Warnings, Cautions and Risks	Page 4
Liability Release and Agreement Not to Sue	Page 5
General Warnings	Page 5
Shockknife™ Safety Monitor Certification	Page 6
Mandatory Safety Equipment	Page 6
Parts & Features	Page 7
Operation of the SK-2	Page 9
Training – Setting the SK-2 to Desired Level	Page 10
Maintenance of the SK-2	Page 11
Shockknife™ Performance Tests	Page 12
Information for DT Instructors	Page 13
Shockknife™ Warranty Terms & Conditions	Page 15

WARNINGS, CAUTION, AND RISKS ASSOCIATED WITH SHOCKNIFE™ DEVICES

WARNING: MUST READ!

ALL PURCHASERS AND USERS OF SHOCKNIFE™ ELECTRICAL DISCHARGE DEVICES MUST READ AND AGREE WITH THE FOLLOWING CONDITIONS PRIOR TO USING ANY SHOCKNIFE™ PRODUCTS. IF YOU DO NOT AGREE WITH THE CONDITIONS SET OUT IN THIS FORM, PLEASE RETURN THE UNUSED SHOCKNIFE™ PRODUCT FOR A FULL REFUND

It is the responsibility of the **purchaser** of the Shocknife product to ensure that any individual wishing to train with said products first read and agree to the conditions stated in this form.

Any **instructor** wishing to use a Shocknife product as a tool to assist in training other individuals MUST have a valid Shocknife Safety Monitor Certification. Certifications are available online at www.shocknife.com.

1. Shocknife™ electrical shocking devices are designed to be used as a training tool only. Although they are not designed to cause serious injury or incapacitation, the fact that they emit an electrical shock means they do carry risk. It is impossible to predict how each individual will react to the device. While medical evidence supports the use of high voltage, low amperage devices as being safe, those choosing to train with Shocknife™ devices accept risk of injury or even possible death from unforeseen individual susceptibilities.
2. Shocknife™ devices can cause muscle contractions or reflex reactions which may result in injuries to bones, muscles, tendons, ligaments and joints.
3. Shocknife™ devices cause both physical and psychological pain which can be stressful and may cause psychological injury in some people.
4. Repeated exposure with the Shocknife™ device in the same location may cause marks and scarring that may be permanent.
5. Proper eye, neck, and groin protection must be worn at all times, by all involved participants, when training with Shocknife™ devices.
6. Sparks from Shocknife™ devices can ignite flammable liquid. Do not use the Shocknife™ around any flammable material. Ensure any chemical spray products being used in conjunction with training are not flammable and can not be ignited by spark.
7. The Shocknife™ electrical charge should NEVER be applied to the groin, spine or neck area. It is recommended that all persons training with Shocknife™ devices will only apply the electrical shocking feature to the extremities of the body, the arms and legs only. The Shocknife™ device should NEVER be used in any capacity on the face or head. The Shocknife™ devices should NEVER be used in a stabbing or piercing manner. Participants are encouraged to wear body armor when available.
8. No minor or youths or anyone under the age of 18 years should be allowed to train with or be exposed to any Shocknife™ devices.
9. If you have a condition or pre-existing injury that you believe may be aggravated by Shocknife™ training, advise your instructor immediately and do not participate in Shocknife™ device training.
10. The rigid nature of the polycarbonate blade carries the risk of blunt force trauma. Care should always be used while training with the knife to ensure safety equipment and controlled safety measures are put in place to prevent accidental blunt force trauma.

LIABILITY RELEASE AND AGREEMENT NOT TO SUE

In consideration of using the Shocknife™ device during training and/or exposure, I acknowledge and agree to the following:

1. I have read the above stated *Warnings, Cautions and Risks Associated with Shocknife Devices*. I understand and acknowledge that my participation in any training utilizing a Shocknife™ device or any exposure to a Shocknife™ device is by volunteer only. I chose to voluntarily participate in Shocknife™ device training and/or exposure, understanding that I assume all risks of bodily injury whether physical or psychological that may occur.
2. I acknowledge and intend this form to be legally binding upon me, my heirs, executors, employers or any other party of interest and I am acknowledging that I waive, release any instructor, monitor, agency, business, associated with Shocknife™ device training including Shocknife Inc. and all of it's sales agents, distributors, directors, owners and employees from any claims, demands, suits, rights and cause of action of any kind and nature, arising from and by reason of Shocknife™ device training or exposure that results in any physical or psychological injury, including death.
3. I understand that by agreeing to this form I have read the entire form and have chosen to participate in Shocknife™ device training and/or exposure; I understand that by reading this form I am releasing any instructor, monitor, agency, business, associated with Shocknife™ device training including Shocknife Inc. and all of it's sales agents, distributors, directors, owners and employees from any and all legal and civil action or claims; I understand that by reading this form I am agreeing and promising not to sue; I also understand that by agreeing with this form, I am giving up certain legal rights including the right to recover damages in case of injury; I agree that I have read and understand this entire Form; I understand that it is a promise not to sue and a release and indemnity for all claims; I further understand that by agreeing to this Form I am giving up certain legal rights including the right to recover damages in case of injury; and I agree to accept all the stated conditions and terms of this form.

IF YOU DO NOT AGREE TO THE ABOVE CONDITIONS, PLEASE RETURN THE UNUSED SHOCKNIFE™ PRODUCT FOR A FULL REFUND. IF THE SHOCKNIFE™ PRODUCT IS NOT RETURNED UNUSED THEN IT IS ASSUMED THAT THE PURCHASER HAS UNDERSTOOD AND AGREED WITH THE CONDITIONS OF THIS FORM. PURCHASERS ARE ENCOURAGED TO HAVE THIS FORM REVIEWED BY AN ATTORNEY OF THEIR CHOSING BEFORE AGREEING TO THE FORM.

GENERAL WARNINGS

1. All safety and operating instructions must be read before the SK-2 is used.
2. The SK-2 should be cleaned only as recommended by the manufacturer and in accordance with the water and moisture warnings stated in this manual. (see *page 11 – Maintenance*)
3. Do not submerge the SK-2 in water.
4. Do not use any other tool other than the supplied Shock Adjustment Tool to adjust the Shock Adjustment Screw.
5. Do not place any objects through any of the openings inside the battery compartment.

6. Do not attempt to service the SK-2 other than regular maintenance stated in this manual (see *page 11 – Maintenance*). All servicing should be referred to qualified Shockknife™ service personnel.
7. The electronics of the SK-2 are designed to be permanently sealed inside for the life of the product. Do not open or attempt to open the SK-2. Doing so will void the warranty.
8. The SK-2 is designed to be used at room temperature. Do not use in temperature that is below freezing.
9. Do not store around flammable material.
10. Always set the SK-2 Shock Adjustment Screw to LOW and remove battery when not in use, being transported or stored.
11. Always wear mandatory safety equipment (see *Page 6 - Mandatory Safety Equipment*) when training with Shockknife™ products.
12. Do not throw or intentionally drop the Shockknife™.

SHOCKKNIFE™ SAFETY MONITOR CERTIFICATION

Shockknife requires that anyone utilizing Shockknife™ products to train their students be certified as a Safety Monitor. The course is offered online at www.shockknife.com. It takes roughly 2 to 3 hours to complete the course. After successfully completing the online exam the participant will receive the certification that will last for two years. This course will educate Instructors on how to ensure their students use Shockknife™ products in the safest manner possible regardless of what style or system of training they use.

The course will cover the following topics:

Introduction to Shockknife	Safe Stimulus Response Training
Nomenclature of Shockknife	Safe Dynamic Training
Mandatory Safety Equipment	Stress Inoculation Training
Understanding Electricity	Stress Exposure Training
Safe Static Skills Training	

MANDATORY SAFETY EQUIPMENT

When using the Shockknife™ you should always wear the following mandatory safety equipment:

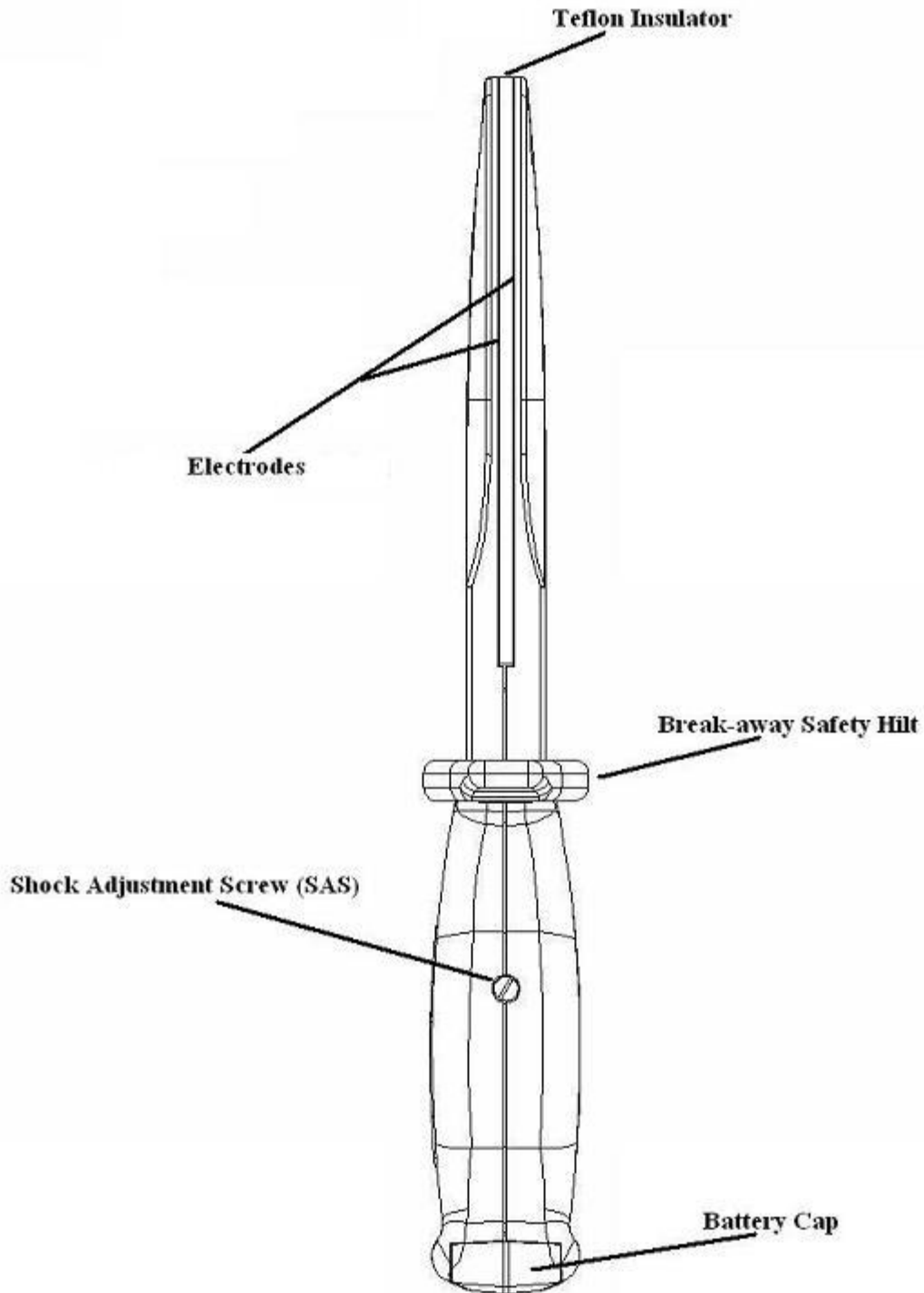
- SAFETY GOOGLES (MUST COMPLETE ENCASE EYES)
- THROAT PROTECTOR
- GROIN PROTECTOR

Shockknife recommends long pants and long sleeve shirt. The following additional safety equipment are also recommended when available:

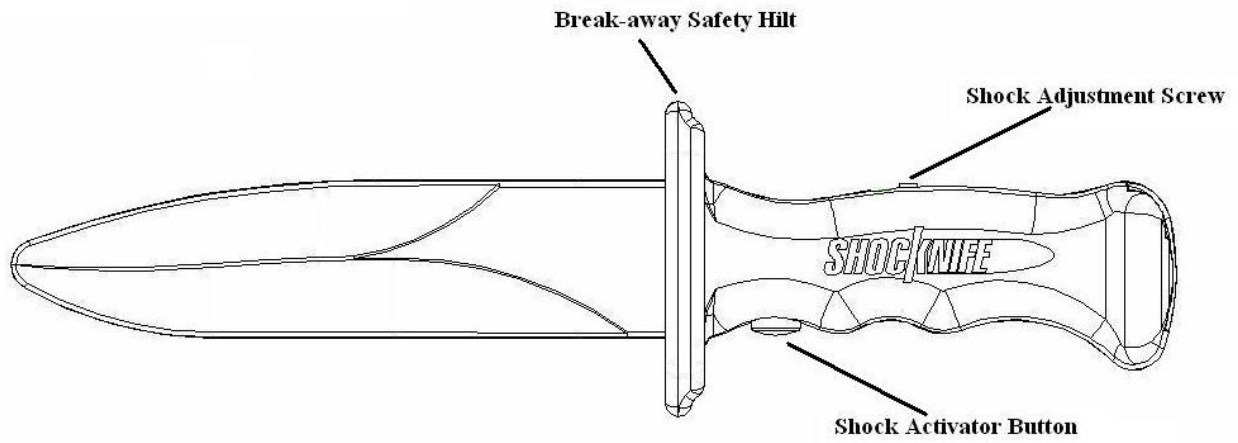
- GLOVES
- BODY ARMOR

PARTS AND FEATURES

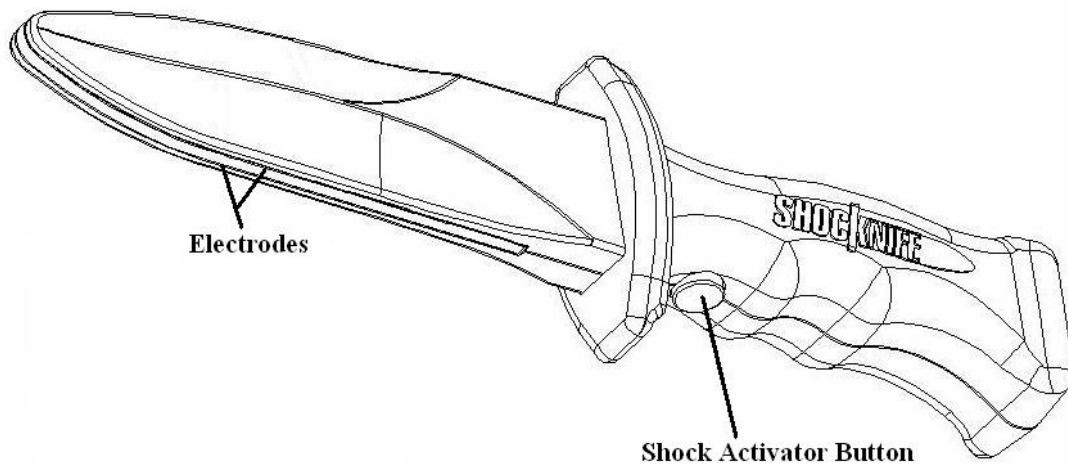
Shockknife™ SK-2 Rear View



Shockknife™ SK-2 Side View



Shockknife™ SK-2 Bottom View



OPERATION OF THE SK-2

General Instructions

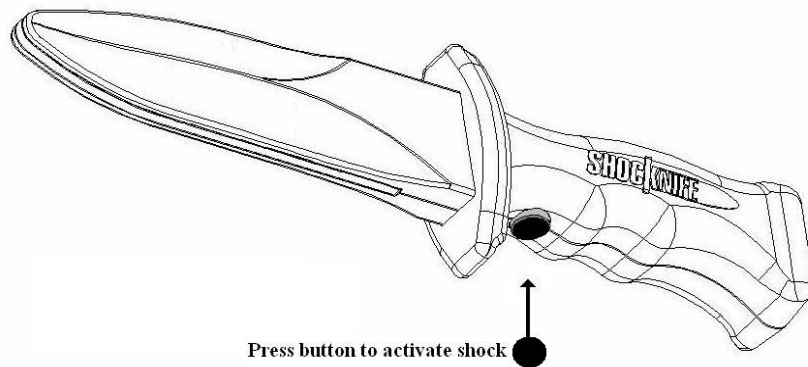
- For best results, when using the Shockknife™ SK-2 **TREAT IT LIKE A REAL KNIFE.** When slashing, use significant pressure and drag it across the extremities of the body. Do not treat it as a stun gun and simply touch the body.
- Once the battery has been inserted the SK-2 is fully operational.
- The blade will not deliver a shock unless the Shock Activator Button is depressed.

Before Using the SK-2

- Ensure proper safety equipment is worn (see *Page 6 – Mandatory Safety Equipment*).
- Set the Shock Adjustment Screw to desired shock level.
- Remember, the SK-2 is not a toy, always wear required protective gear and never use the SK-2 on the Eyes, Face, Groin, Throat, Head and Neck.

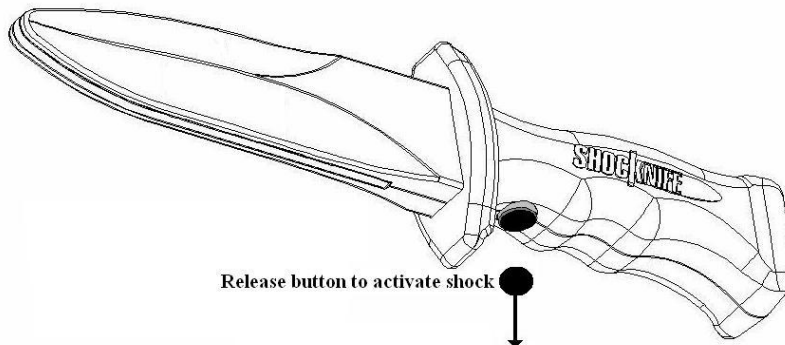
Activating the Shock

- To activate the Shock Blade, press the Shock Activator Button. A shock will be delivered as long as the Shock Activator Button is depressed. At higher levels sparks will be visible.



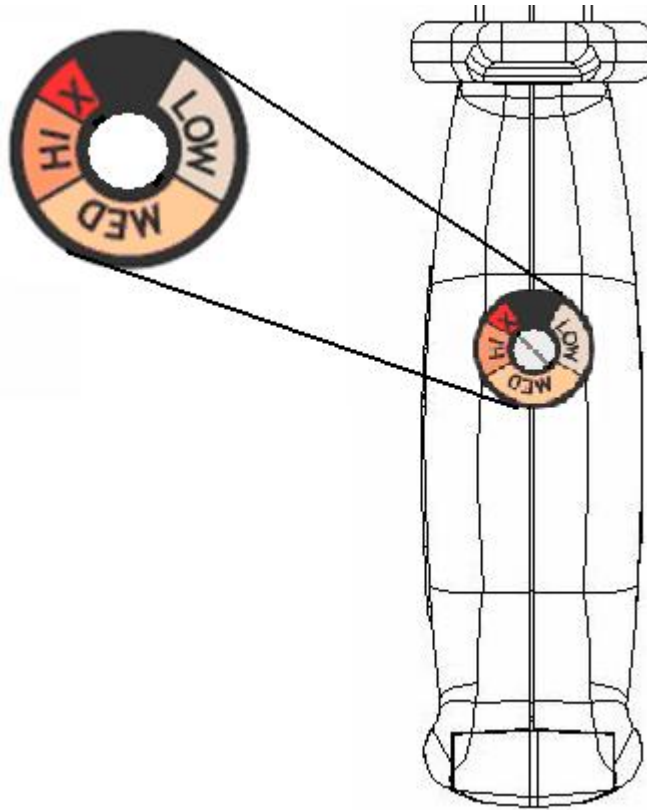
De-activating Shock

To de-activate the Shock Blade, release the Shock Activator Button.



Note: The internal capacitor can hold a charge for an extended period of time. This can cause a single shock similar to a static electric shock if the blade is touched after the button has been released.

TRAINING - SETTING THE SK-2 TO DESIRED SHOCK LEVEL



Low Range

- 1) Using the Shock Adjustment Tool, gently turn the Shock Adjustment Screw counter clockwise until it lines up in the area marked **LOW**.
- 2) The SK-2 is now set at **LOW**.

Medium Range

- 1) Using the Shock Adjustment Tool, gently turn the Shock Adjustment Screw counter clockwise until it lines up in the area marked **MED**.
- 2) The SK-2 is now set at **MEDIUM**.

High Range

- 1) Using the Shock Adjustment Tool, gently turn the Shock Adjustment Screw counter clockwise until it lines up in the area marked **HI**.
- 2) The SK-2 is now set at **HIGH**.

Extreme Range

- 1) Using the Shock Adjustment Tool, gently turn the Shock Adjustment Screw counter clockwise until it lines up in the area marked **X**.
- 2) The SK-2 is now set at **EXTREME**.

MAINTENANCE OF SK-2

Cleaning the SK-2

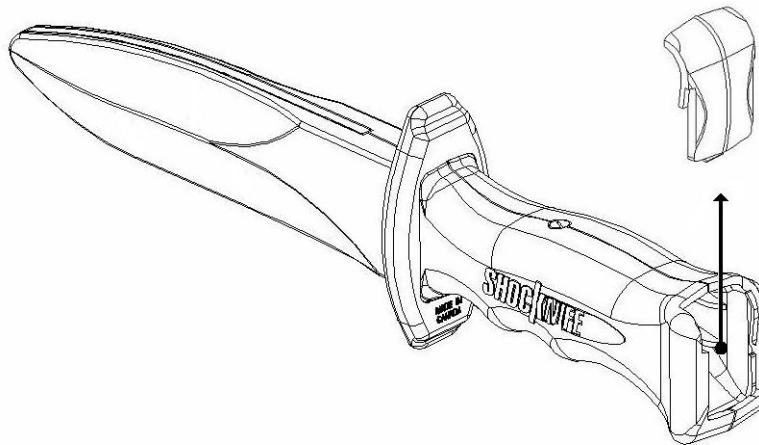
Although the Shocknife™ SK-2 is designed to be maintenance free, owners should ensure it is periodically cleaned and disinfected. Owners should wipe the SK-2 with a small amount of non-corrosive cleaning solution before and after each use. Alcohol wipes with 70% or less alcohol or any antibacterial wipe would be acceptable. This will also ensure peak sparking when on High. Wipe dry after cleaning.

Battery Replacement - Choosing a 9 Volt Battery

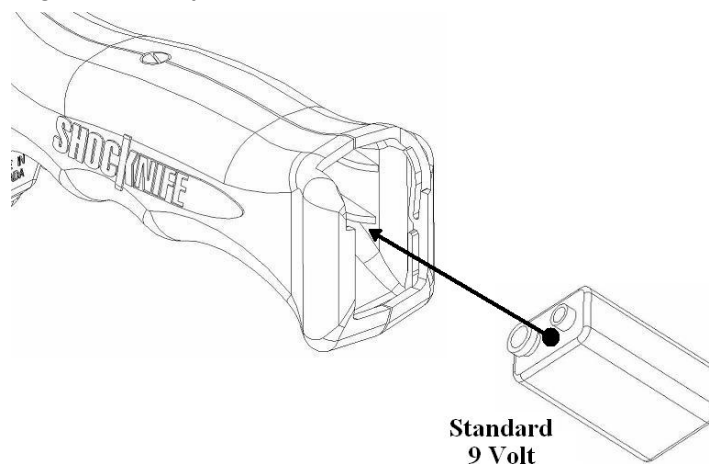
Shocknife™ recommends **ONLY** name brand batteries. Energizer batteries seem to perform best. Other generic 9-volt batteries are not recommended and will not yield the same performance or may not work at all.

Inserting and Replacing Battery

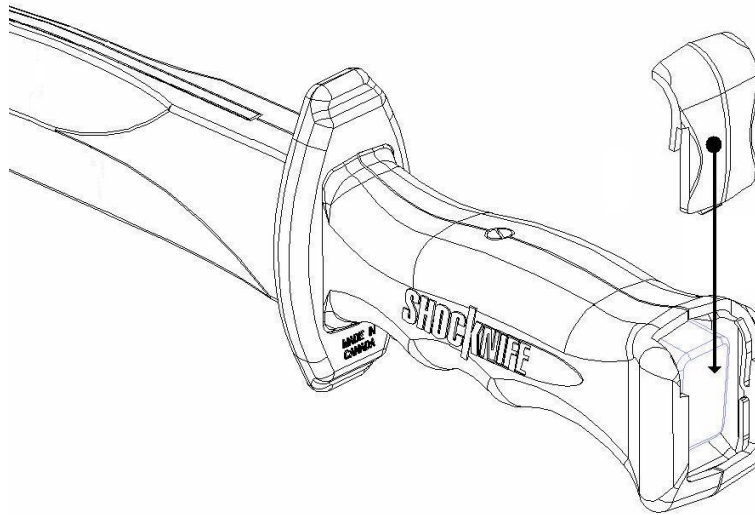
1. Remove the Battery Cover.



2. Remove Dead Battery (if Present), Insert New Battery Terminal Ends First. (The battery can only be inserted one way. Do not try to force battery into the battery compartment. If battery is not fitting, flip battery and re-insert.)



3. Close Battery Cover.



Note: The internal capacitor can store a charge even after the battery is removed. Ensure that you touch the metal edge of the Shock Adjustment Tool between the two electrodes to release the charge before storing or handling. You can use the Shock Adjustment Tool for this purpose.

SHOCKKNIFE™ PERFORMANCE TESTS

Function Test

Once you have properly inserted a new battery into the Shockknife SK-2 the monitor should perform a function test.

- 1) Using the Shock Adjustment Tool, set the Shockknife to the EXTREME setting.
- 2) Press the Shock Activator Button for approximately 5 seconds.
- 3) The Shockknife should be sparking aggressively at the blade.
- 4) Release the Shock Activator Button.
- 5) The Shockknife should no longer spark.

Shock Adjustment Test

After performing the Function Test, the monitor should perform a Shock Adjustment Test.

- 1) Complete Function Test.
- 2) Press the Shock Activator Button while the Shockknife is still set at EXTREME.
- 3) Using the Shock Adjustment Tool slowly turn the Shock Adjustment Screw in a counterclockwise direction towards the LOW setting.
- 4) The firing rate of the sparks on the Shockknife should be observed to slow down as the Shock Adjustment Screw moves towards the LOW setting.
- 5) Release Shock Activator Button.
- 6) The Shockknife is now ready for training, set to Shockknife to desired shock level.

INFORMATION FOR DT INSTRUCTORS

Since the Shockknife SK-2 was exposed to the Defensive Tactics Training world Shockknife Inc. has been inundated with questions about its design and performance from DT Instructors. Most DT Instructors are well versed on the need to create acute stress in training. That's why it is not surprising that most of our questions from DT Instructors revolve around design and functionality not the rationale for using it.

Important Note

For best results, when using the Shockknife™ SK-2 **TREAT IT LIKE A REAL KNIFE**. Do not treat it as a stun gun and simply touch the body. When slashing, use significant pressure and drag it across the extremities of the body.

Remember, the SK-2 is not a toy, always wear required protective gear and never use the SK-2 on the Eyes, Face, Groin, Throat, Head and Neck.

Real knives are silent, but the Shockknife sparks and growls. Can it be silenced?

Yes, it can be silenced and spark free. The Shock Activator Button controls when the Shockknife SK-2 sparks and growls. If the role player holding the Shockknife wishes it to be silent they just don't press the Shock Activator Button. When they attack with the Shockknife they need only press it while making contact with the trainee. Since the electricity is flowing into the trainees skin there will be no sparks.

Why design the knife capable of sparking and growling?

This was done to induce "Acute Stress". For example, we put a number of police recruits through a scenario that involved a suicidal male that wanted to cut his own throat. In the past using rubber training knives the recruits moved to close to the role player and at times even failed to draw their training firearm. We replicated the exact same scenario with the Shockknife SK-2. When the role player sparked the Shockknife we would see realistic stress and survival reactions from the recruits. They would immediately create distance and always get their training firearms at the ready position. The inherent fear of being shocked mimics the inherent fear of being cut.

Why was the Shock Adjustment Screw designed so that you have to use the Shock Adjustment Tool to adjust it?

This was done to give complete control of the Shockknife SK-2 to the DT Instructors. The DT Instructor can adjust the level of the Shockknife for the type of training that is being conducted. This also allows them to adjust each Shockknife individually to a setting that they believe will provide the most benefit to the specific students using it. Most importantly it discourages students from horse play by making it difficult to turn the voltage level up without permission from the DT Instructor.

Is the Shockknife SK-2 a self defense weapon?

No. It is a training knife designed to replicate a real knife. It does not have the ability to cut. The shock will not cause permanent injury or incapacitation.

Why is my Shockknife only sparking in one place on the blade or why does it not spark the same consistently when on Extreme?

The Shockknife has been designed to spark randomly across the blade, but all blades will not spark the same because not all conditions are the same. There are many factors that influence sparking and performance including battery life, battery brand, humidity, air temperature, cleanliness, time in use and climate to mention a few. Try blowing on the blade if it is sparking in one spot, by adding a little humidity to the blade it should move the sparks around. If you want peak sparking try cleaning the blade with a small amount of non-corrosive cleaning solution before and after each use. Wipe dry after cleaning.

How long does the battery last?

It depends on how often and at which setting it is used. For example, intermittent use with the SK-2 set on Extreme with an Energizer battery will last several days of dynamic training.

Does the skin have to be exposed to be shocked by the Shockknife?

No. We encourage training in regular issue uniform. The Shockknife will penetrate clothing and because the clothing creates a larger gap space it will actually increase the effect of the shock. This also allows for the Shockknife to be used in conjunction with less lethal training ammunition as it is mandatory to wear long sleeve clothing when training with these products.

A real knife will not penetrate through certain layers of clothing; won't the spark jump through more layers than a real knife would cut?

No. The Shocknife is specifically designed to behave like a real knife. The more you use the Shocknife like a real knife the better it operates. Like a real knife, it will penetrate regular issue police, corrections and military uniforms, including summer weight jackets but will not penetrate thick layers of winter jackets, Kevlar vests or flack jackets.

How will sweat affect the Shocknife blade?

The Shocknife blade is designed to function through normal amounts of sweat. If the Shocknife comes in contact with sweat, simply push the Shock Activator Button and you will see the Shocknife attack the sweat and rapidly cause its evaporation. Excessive amounts of sweat may adversely effect its operation.

Does this mean that we no longer need other types of training knives?

Absolutely not. Training knives of all kinds have a place in training. It is no different than comparing plastic training guns and less lethal training ammunition training guns. Both have their place for specific types of training.

How durable is the Shocknife?

Understanding the environment that the Shocknife would be used in, it was been designed specifically to be as durable as possible. This includes utilizing the following:

- Impact resistant polycarbonate blend outer shell
- Hydrophobic (water resistant) Teflon® blade insulator
- Gold coated electrodes
- Gold mixed solder
- Break-away sanoprene (soft rubber) hilt
- Double coated handle with special grip coating
- Fully potted electronics

How safe is the Shocknife?

Since the popularity of Conducted Energy Weapons has increased, DT Instructors have become very knowledgeable in understanding electrical safety issues. To easily understand how safe the Shocknife SK-2 is, it will be compared with the most popular Conducted Energy Weapon (CEW) being used by police.

- At its maximum setting the Shocknife SK-2 is capable of delivering 7,500 volts. This is only 15% of the most popular CEW.
- As most DT Instructors know, it is the amperage that is most dangerous. The Shocknife SK-2 delivers only .00075 amps at its highest setting. This is less than ¼ of the amperage of the most popular CEW.
- The gap space is the distance between the 2 electrodes that determines how much area on the body is affected by the electricity. The gap space of the Shocknife SK-2 is only 1/8 of an inch. The most popular CEW is 1 inch when used in a stun gun fashion and can be more than three feet when used with projected probes. Since the electricity will always travel the path of least resistance, the Shocknife SK-2 is incapable of penetrating into the heart and other organs.

As with any electricity, the Shocknife SK-2 has the ability to burn skin if exposed for a lengthy period of time in the same location. Proper use of the SK-2 should prevent this from ever happening. Most exposures in a dynamic setting are less than 1 second per slice and very rarely in the exact same spot on the body. Everyone reacts different to electric shock stimulation. It is possible that some individuals will experience mild burning to the skin. All individuals should be given a choice as to whether they wish to participate in training with the Shocknife.

Shocknife Inc. has tested the Shocknife SK-2 at its highest setting over the exact same spot for a 1 second exposure 50 times on bare skin. The result was a red mark similar to a sun burn that completely vanished in 3 days.

The Shocknife has been used over 1000 times in various tests and trials and to date there have been absolutely no reports of permanent injury or burning of any kind.

SHOCKNIFE™ WARRANTY TERMS AND CONDITIONS

Who is covered:

- This limited warranty ("warranty") is given only to the original end-use/retail purchaser (referred to in this warranty as "Original Purchaser") of the accompanying product, consumables and accessories (collectively referred to in the warranty as "this Product").
- If you purchases the product from someone other than an authorized Shocknife reseller in North America, or if the product was used (including but not limited to floor models or refurbished product) prior to your purchase, you are not the Original Purchaser and the product that you purchased is not covered by this warranty.

What is covered:

- This Product includes a Training Knife, Consumables and Accessory Items. Consumables and Accessory Items include but are not limited to 9 volt batteries, carrying case, and screw driver.
- Except as otherwise provided herein, Shocknife warrants that the Training Knife and the accompanying Consumables and Accessory Items will be free from defects in material and workmanship, when used under normal use as defined in the written instructions that accompanied the product at time of purchase, provided that the disclosed defect is determined by Shocknife to be Shocknife's fault.
- The warranty applies only to products purchased and used in North America. For products purchased in, but used outside North America, this warranty covers only warranty service within North America (and does not include shipping outside North America).

What is the length of the warranty periods:

- Training Knife: one year from the original purchase date.
- Accompanying Consumable and Accessory items: 90 days from the original purchase date or the rated life of consumable, whichever comes first.

What is not covered:

This warranty does not cover:

1. Physical damage to this Product;
2. Damage caused by improper or abnormal use, misuse, neglect or accidental (including but not limited to transporting this Product without the proper preparation and/or packaging);
3. Damage caused by another device used with this Product;
4. Consumable and Accessory Items that expired in accordance with their rated life; and
5. Problems arising from other than defects in material and workmanship.

The limited warranty is void and Shocknife shall not be responsible for any loss, damage or for any other liabilities arising from alterations, additions, adjustments or repairs which are made to the product by other than authorized representatives of Shocknife.

What to do if you think your Product is eligible for warranty service:

To make a warranty claim, you must first verify that your Shocknife is within its active one year warranty period. To validate your warranty status, check the date on your original invoice.

What Shocknife will ask you to do to receive warranty service:

Supply Shocknife with a copy of your dated bill of sale showing that the Product was purchased within the United States or Canada. To register a claim, first obtain a Return Authorization ("RA") number within the warranty period from Shocknife by mail, email info@shocknife.com, or toll free telephone number at 1 866-353-5055. After contacting Shocknife, you will be required to send the Product properly packaged, freight prepaid, to Shocknife Inc. Mail the defective Training Knife and/or accompanying Consumables and Accessory Items with postage prepaid together with a photocopy of your bill of sale and written description of the defect to: Shocknife Inc., 1415B Henderson Hwy, Winnipeg, Manitoba, Canada, R2G 1N3, Attn: Warranty Department. Please note the RA number on the outside of the package. Please provide your name, address, and phone number of where to return the repaired items. Failure to provide the required information may delay the return of the repaired items. You are responsible for the cost of shipping, packing the Product, and insurance (if you desire). You are also responsible for loss or damage to the Product in shipping.

What Shocknife will do:

If the problem reported concerning your Training Knife and/or accompanying Consumables and Accessory Items is covered by this warranty and if you first reported the problem to Shocknife within the acceptable warranty period, Shocknife sole responsibility will be to repair or replace the Training Knife and/or accompanying Consumables and Accessory Items at no charge to you for parts or labor. The decision as to whether to repair or replace the Training Knife and/or accompanying Consumables and Accessory Items is made by Shocknife at their sole discretion. The repaired or replacement Training Knife and/or accompanying Consumables and Accessory Items will be returned to you freight prepaid.

If the Training Knife and/or accompanying Consumables and Accessory Items are not covered by this warranty you will be contacted and charged for shipping the Training Knife and/or accompanying Consumables and Accessory Items back to you and charged for any service and/or replacement parts/products at Shocknife's then current published rates after your written approval.

Limitations and Exclusions

Shocknife is not responsible for damage to or loss of any equipment related to the use of this Product. Except for that repair or replacement as described above, Shocknife shall not be liable for any direct, indirect, incidental or consequential damages or specific relief. Because some states do not allow the exclusion or limitation of consequential or incidental damages the above limitation may not apply to you.

THIS WARRANTY IS GIVEN IN LIEU OF ALL OTHER WARRANTIES, WRITTEN OR ORAL, WHETHER EXPRESSED BY AFFIRMATION, PROMISE, DESCRIPTION, DRAWING, MODEL OR SAMPLE. ANY AND ALL WARRANTIES OTHER THAN THIS ONE, WHETHER EXPRESS OR IMPLIED, INCLUDING IMPLIED WARRANTIES OF MERCHANTABILITY AND FITNESS FOR A PARTICULAR PURPOSE, ARE HEREBY DISCLAIMED. IF THE EXCLUSION OF IMPLIED WARRANTIES IS PROHIBITED BY STATE LAW, THEN ANY APPLICABLE IMPLIED WARRANTIES SHALL BE LIMITED TO THE DURATION OF THE EXPRESS WARRANTY DESCRIBED ABOVE AND OTHER PROVISIONS CONTAINED HEREIN.

- This Limited Warranty is the only warranty that Shocknife is giving for this Product. It is the final expression and the exclusive and only statement of Shocknife's obligations to you. It replaces all other agreements and understandings that you may have with Shocknife or its representatives.
- This warranty gives you certain rights and you may also have other rights that vary from state to state.
- The Limited Warranty (and Shocknife's obligation to you) may not be changed in any way unless you and Shocknife sign the same piece of paper in which we (1) refer to this Product and your bill of sale date, (2) describe the change to this warranty and (3) agree to make that change.

Release and Limitation of Remedies

PURCHASER AGREES TO ASSUME ALL RISKS OF LOSS AND AGREES TO RELEASE SHOCKNIFE FROM ANY AND ALL LIABILITY FOR ANY DAMAGES AND BODILY INJURY WHICH MAY RESULT FROM THE USE OR MISUSE OF THE PRODUCT BY THE PURCHASER OR ANY OTHER PERSON. SHOCKNIFE IS NOT LIABLE FOR THE FAILURE OF THE PRODUCT TO PERFORM AND SHOCKNIFE IS NOT LIABLE FOR ANY CLAIMS MADE BY A THIRD PARTY OR BY PURCHASER FOR OR ON BEHALF OF A THIRD PARTY. SHOCKNIFE'S CUMULATIVE LIABILITY TO ANY PARTY FOR ANY LOSS OR DAMAGES RESULTING FROM ANY CLAIMS, DEMANDS, OR ACTIONS ARISING OUT OF OR RELATING TO THIS PRODUCT SHALL NOT EXCEED THE PURCHASE PRICE PAID TO SHOCKNIFE FOR THE PRODUCT. IN NO EVENT WILL SHOCKNIFE BE LIABLE FOR ANY SPECIAL, INDIRECT, INCIDENTAL, EXEMPLARY OR CONSEQUENTIAL DAMAGES, HOWEVER CAUSED, WHETHER FOR BREACH OF WARRANTY, NEGLIGENCE, STRICT LIABILITY OR OTHERWISE, EVEN IF SHOCKNIFE HAS BEEN ADVISED OF THE POSSIBILITY OF SUCH DAMAGES OR IF SUCH DAMAGE COULD HAVE BEEN REASONABLY FORESEEN, AND NOTWITHSTANDING ANY FAILURE OF ESSENTIAL PURPOSE OF ANY EXCLUSIVE REMEDY PROVIDED HEREIN. SOME STATES DO NOT ALLOW FOR THE LIMITATION OR EXCLUSION OF LIABILITY FOR INCIDENTAL OR CONSEQUENTIAL

**SHOCKNIFE™ is a trademark of Shocknife Inc.
Patents: U.S. Patent and International Patents Pending**